

PRESTIGE XL2 PRO

DTF Printer

INTRODUCTION

Prestige XL2 Pro is the first 24" (60cm) dual print-head printer with an 8-color system, including Orange, Red, Green and Blue, in the DTF station solution. It's ideal for users seeking high color accuracy in a large 24" (60cm) format.

FEATURES

- **More Color, Better Prints:** Addition of Red, Green, Blue, and Orange ink makes for more accurate, vibrant prints and wider possible color range
- **Save on space, not quality:** Slightly smaller than the Prestige XL3 with high-quality, vibrant color prints
- **Advanced Maintenance Features:** White Ink Management System (WIMS), Passive Auto-Cleaning, Auto-Cleaning, Auto-Wet Capping
- **Advanced Sensors:** Head Strike Sensor, Tension Bar Sensor, Build-in Temperature and Humidity sensor



Scan for Info



BENEFITS

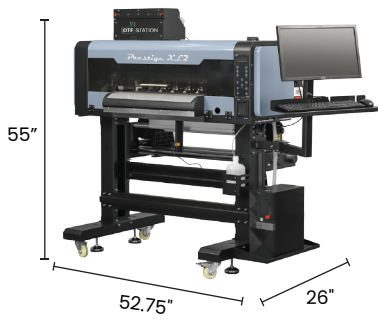
- **Easy access/repair:** intuitive, labeled board design and connections for easy access and repair

SPECIFICATIONS

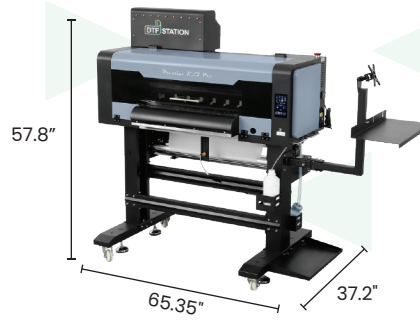
| | |
|-----------------------|--|
| Printing Width | 23.62" (60cm) |
| Printer Head | Epson i3200HD + i1600 |
| Printing Speed | 720 x 1200 dpi 49.51 sq.ft./h (4.6 m ² / Hour) 720 x 1800 dpi 51.67 sq.ft./h (4.8 m ² / Hour) |
| Software | NeoStampa + DTF Station Pilot |
| Daily Output | 300-400 pcs |

| | |
|-----------------------------|---|
| Machine Weight | 135 kg / 297.6 lbs |
| Packaging Weight | 180 kg / 396.8 lbs |
| Machine Dimensions | 65.35"W x 37.2"D x 57.8"H 166cm x 94.5cm x 146.8cm |
| Packaging Dimensions | 57.64"W x 39.37"D x 28"H 146.4cm x 100cm x 71.1 cm |
| Power Requirements | 800W / 110V / 7.2A 800W / 220V / 3.6A |

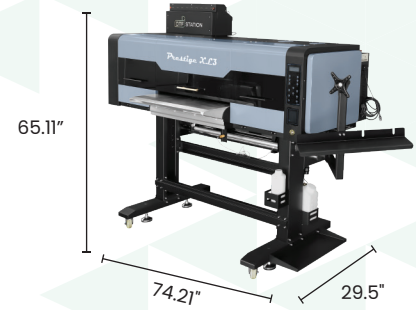
COMPARISON



Prestige XL2



Prestige XL2 Pro



Prestige XL3

| | | | |
|------------------------|---|--|--|
| Print Head | Epson i3200A1 x2 | Epson i3200HD+i1600 | Dual Epson i3200A1 x3 |
| Mainboard | Hoson | Hoson | Hoson |
| Max Print Width | 23.62" (60 cm) | 23.62" (60 cm) | 23.62" (60 cm) |
| Printable Color | CMYK+W | CMYKRGBO+W | CMYK+RGBO+W |
| Printing Speed | 80-100 sq. ft./hour (7.4-9.3 m ² /h) | 49-52 sq.ft/hour (4.6-4.8 m ² /h) | 91-72 sq. ft./hour (8.5-6.7 m ² /h) |
| Daily Output | 500-650 pcs | 300-400 pcs | 440-540 pcs |

XL2 PRO BUNDLE



Prestige XL2 PRO

Powder Shaker



Miro 24



Seismo L24R

Heat Press Machine



Prisma Auto



Prisma Swing